

## PERFORMER 2

**Bactericidal joint**



### ▶ WALL PROTECTION AND HANDRAIL

#### Applications

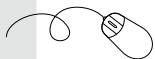
Offering both an excellent handgrip and impact resistance for corridors, this protection handrail, is ideal for all public buildings: hospitals, clinics, re-education centres, retirement homes. It benefits from a patented installation system called autoclip® which facilitates and speeds up the installation and helps to hide any faults in the wall. It is fitted with bactericidal joints.

#### Specification

- **Description:** Hand and wall protection rail (Performer 2 as manufactured by Gerflor) comprising 3 mm thick smooth and antibacterial PVC profile with a depth of 140 mm achieving Bs2d0 fire rating and solid colour. The system combines a completely smooth tubular upper part and a lower wall protection rail with decorative grooves. A protective film is specified to minimise cleaning before acceptance. The PVC profile snap-fixes to a continuous aluminium section and finish is provided by smooth PVC finishing accessories with decorative grooves (wall returns, 90° external angles). The unit is fitted in the spacer with adjustable in depth aluminium clamp. Overall projection is adjustable, minimum 105 mm. Bactericidal joints are provided for the junctions between profile sections and

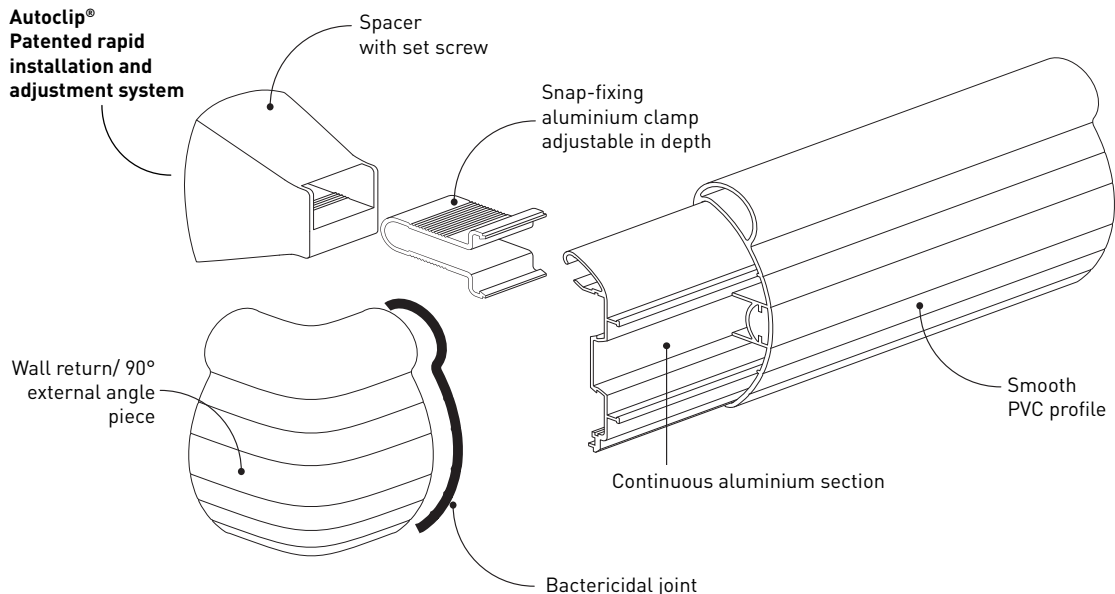
accessories.

- **Environment:** No heavy metals and no substance potentially subjected to any REACH restriction are used in its manufacture, nor PBT/PBA. The calcium-zinc thermal stabilisation process is used. The emission level of volatile substance in inside air has been tested according to ISO 16000-6 and is very low (A+) according to the french regulation (23 march 2011 nr 2011-321 Decree and 19 April 2011 Order). 100% of the product are recyclable.
- **Colour:** Selected by architects from manufacturer's standard range.
- **Installation sequence:** Upper edge of section 0.90 m max. above floor level. Adjustable fixing on composite spacers to be fitted at 1.20 m centres (0.80 m centres in heavy traffic corridors and on light partitions like plasterboard). Wall returns fixing with pop rivets.



Specification and technical drawings can be downloaded from our website [www.gerflor.com](http://www.gerflor.com)

#### Autoclip® Patented rapid installation and adjustment system



Performer 2  
15 colours\*

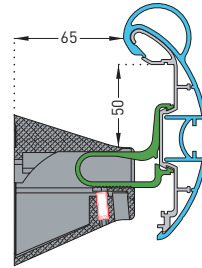


\*and 16 colours on request with a minimum order quantity

**Description**

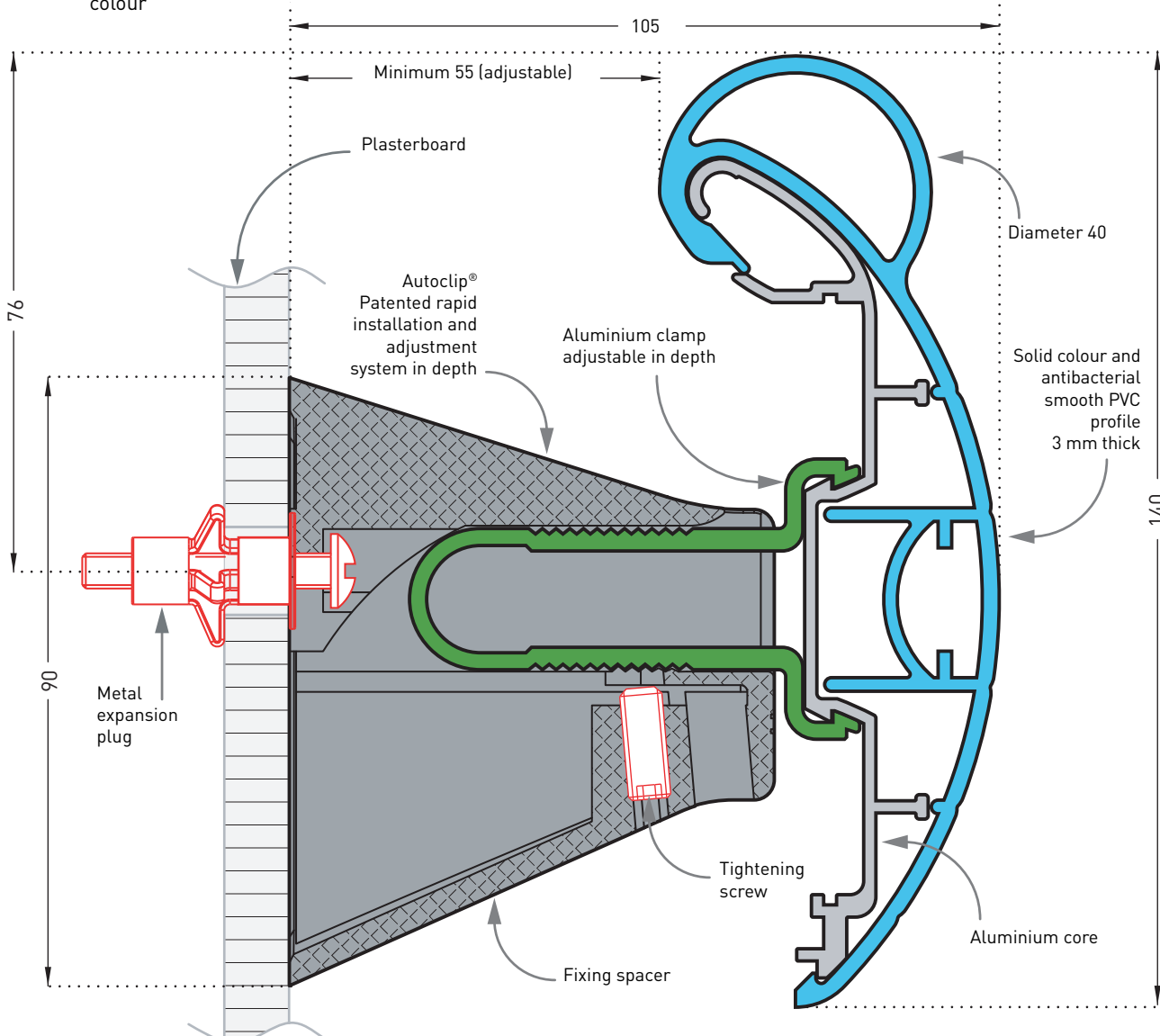
- Model: Performer 2 wall protection and handrail
- Section depth: 140 mm
- Length: 4 m
- Tubular upper part diameter: 40 mm
- Overall projection: Minimum 105 mm adjustable
- Stand-off from wall: Minimum 55 mm adjustable
- Material: 3 mm thick antibacterial PVC, Bs2d0 fire-rated, solid colour

- Surface finish: Smooth upper handrail, smooth wall protection rail with decorative grooves
- Fixing components: Adjustable fixing on composite spacers to be fitted at 1.20 m centres (0.80 m centres in heavy traffic corridors and on light partitions like plasterboard)
- Colours: 15 standard



**Performer 2**

This version has been adapted for the UK in accordance with approved Document M to satisfy the DDA requirements



To find the colours available for each product, please see the summary table for the range at the end of this Guide.